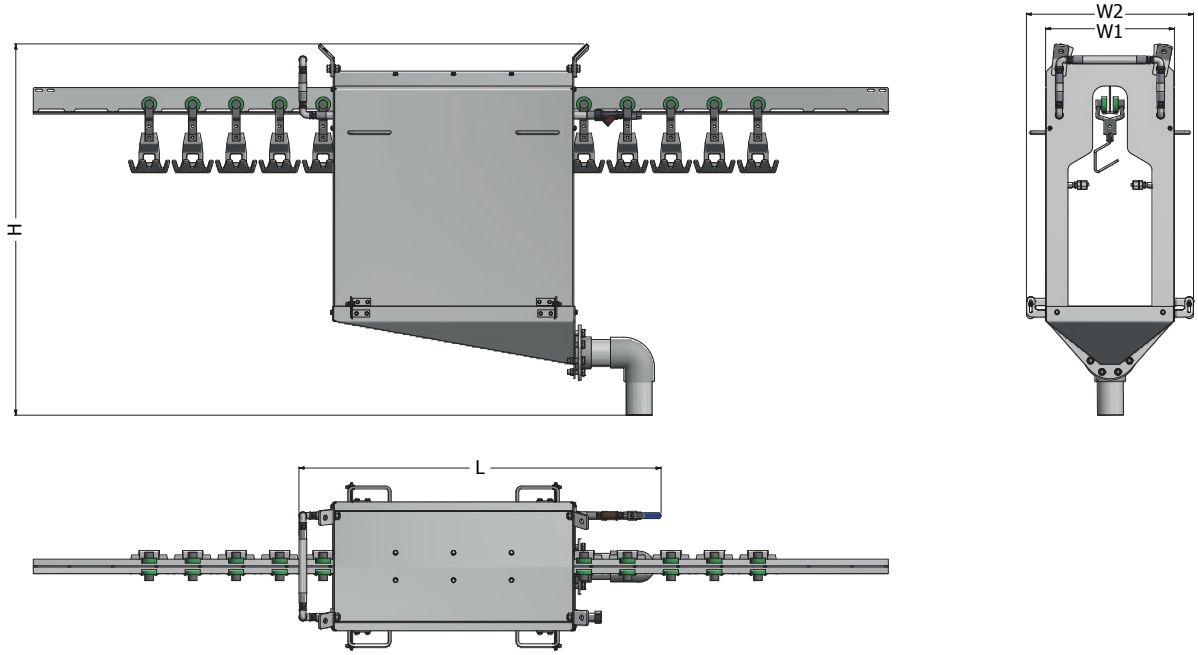


CHILLING SHACKLE WASHER CD45

Chilling shackle washers are used to clean the air chilling shackles at each cycle. The cleaning is done by a set of nozzles that apply high pressure water on to the shackles.



Set of rollers

Chilling department

Length (L)	mm	1,250
Width (W)	mm	575
Height (H)	mm	1,280

