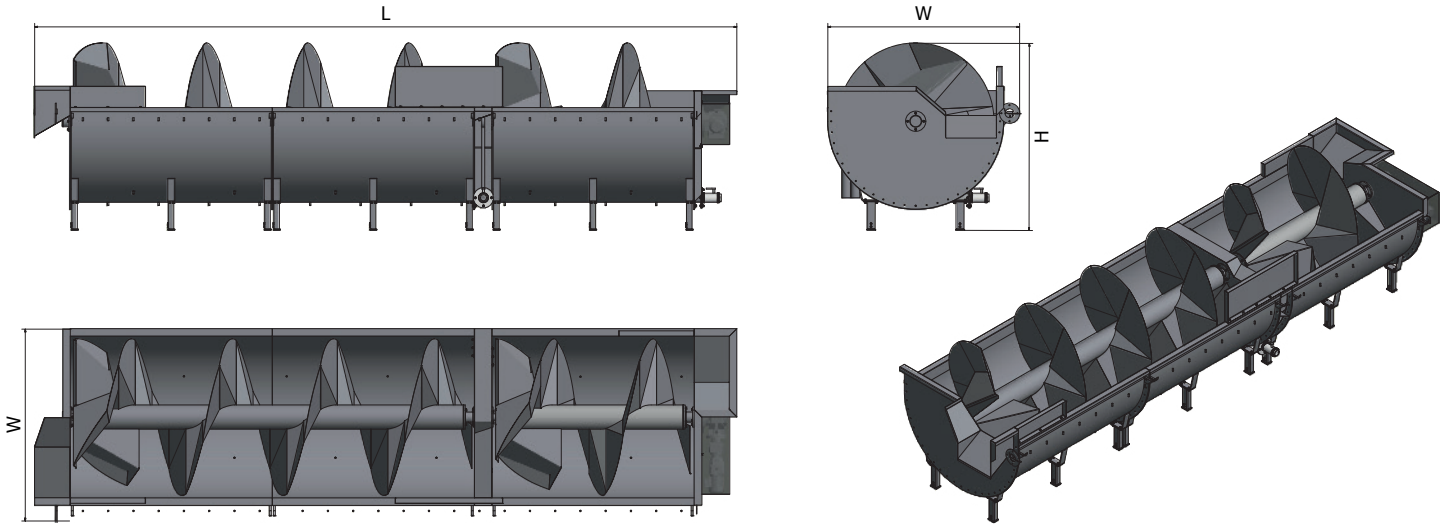


Water chilling is method to cool down the eviscerated birds rapidly by means of applying cold water. They are designed sectional to keep to already cooled down birds from the fresh warm birds. The conveying is handled by means of rotating screw. The cooling effect is increased by application of cross-flow between birds and incoming water in all sections.



Blowers are used to ensure homogeneous water temperature and effective heat transfer. Usually the first section is filled with tap water and second section is filled with cold or flake ice water.

**Features:**

- Complete AISI 304 execution
- Optional: Wind mill for discharge with frequency controller
- Optional: Drying tumbler

Total carcass weight per section	1,020 kg	2,160 kg	2,520 kg
Length (each section)	3,000	3,000	3,000
Width	1,900	2,400	2,700
Flight diameter	1,600	2,100	2,400
Water capacity	3,000 lt	5,200 lt	6,780 lt
Water consumption	4.5 lt/kg carcass		

