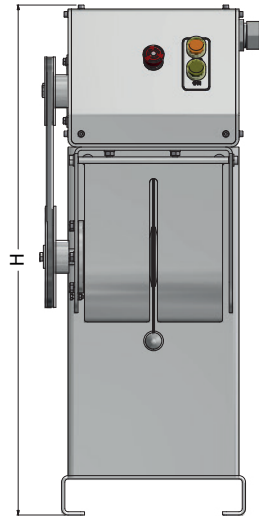
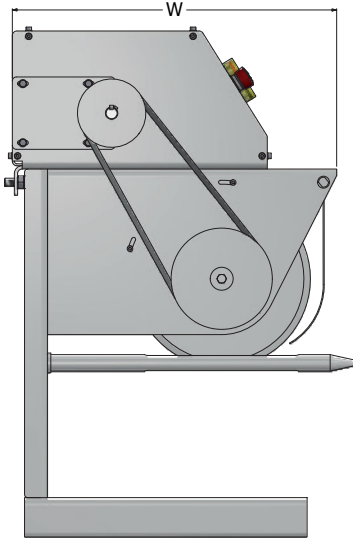


MANUAL CUT-UP MACHINE CP20

The Manual Cut-Up Machine is designed for portioning whole birds in a safe and hygienic way. The special blade and cutting slot design ensures a seamless cut on chicken parts.



Features:

- Supplied with a set of steel gloves
- Ergonomic design
- Easy to clean

Length (L)	mm	340
Width (W)	mm	495
Height (H)	mm	775
Electric power installed	kW	1 x 0.75