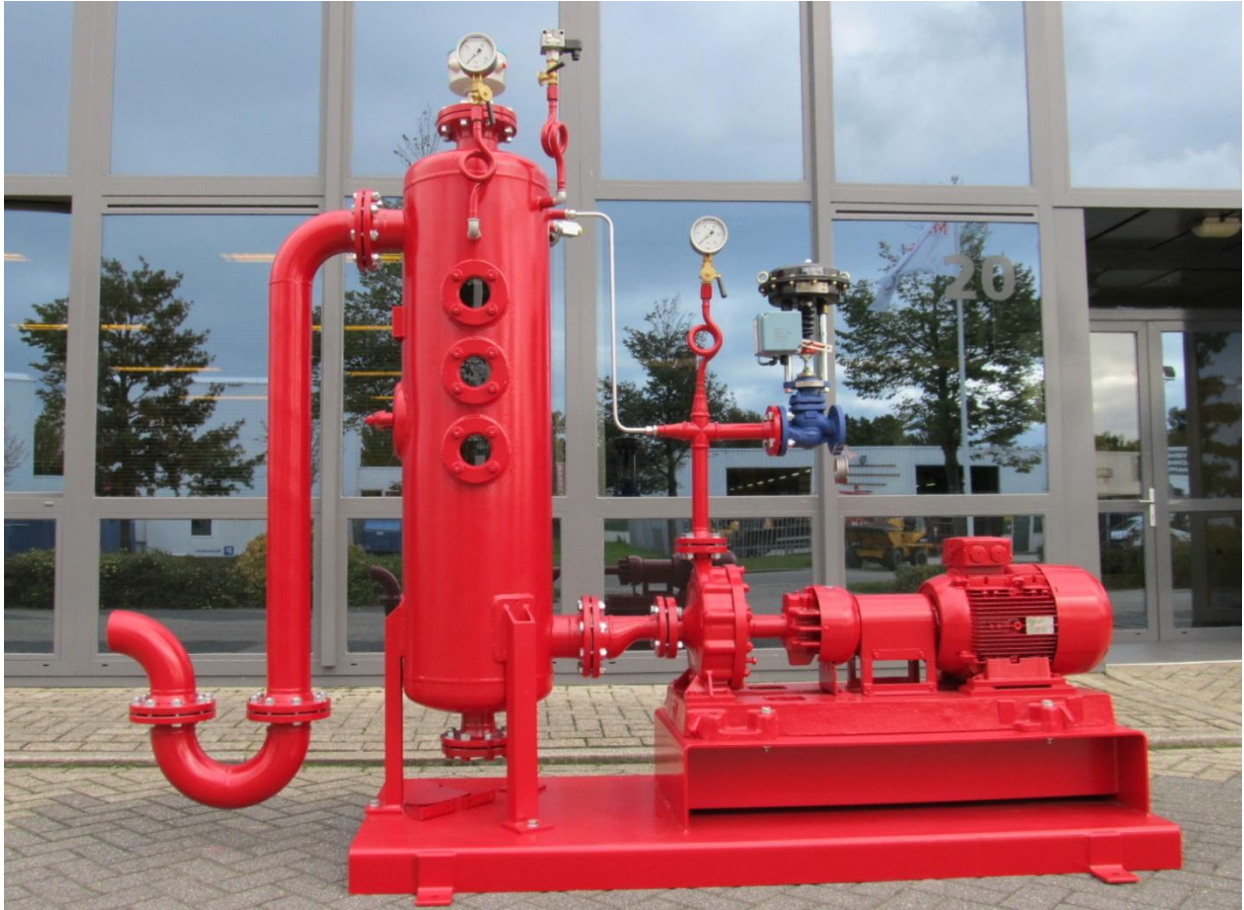


# PCRS

Pressurized Condensate Return System



## Features

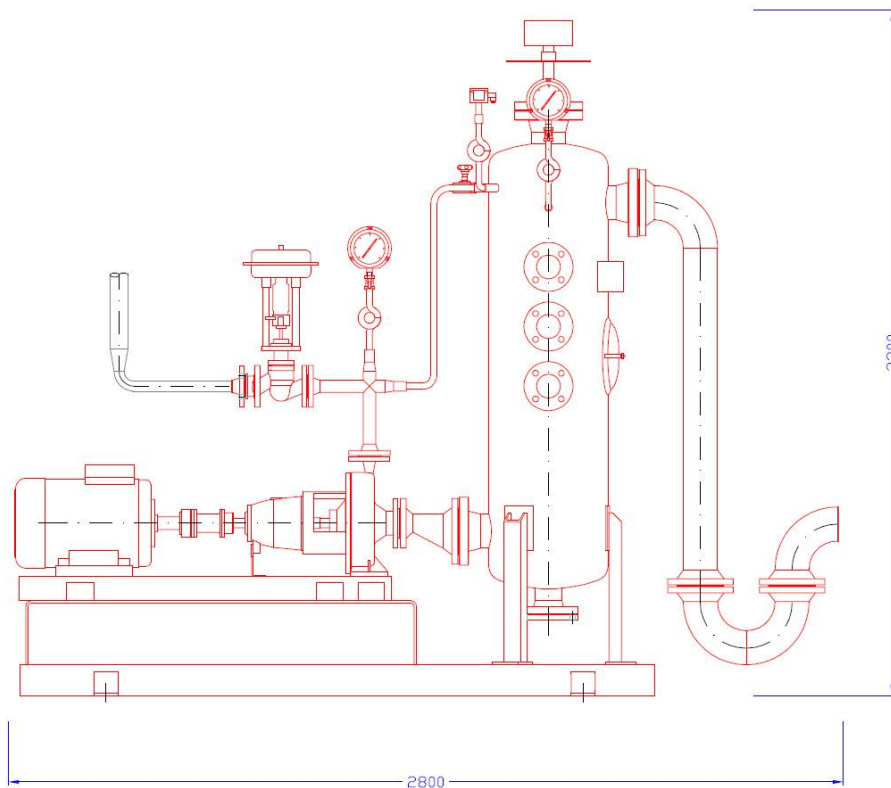
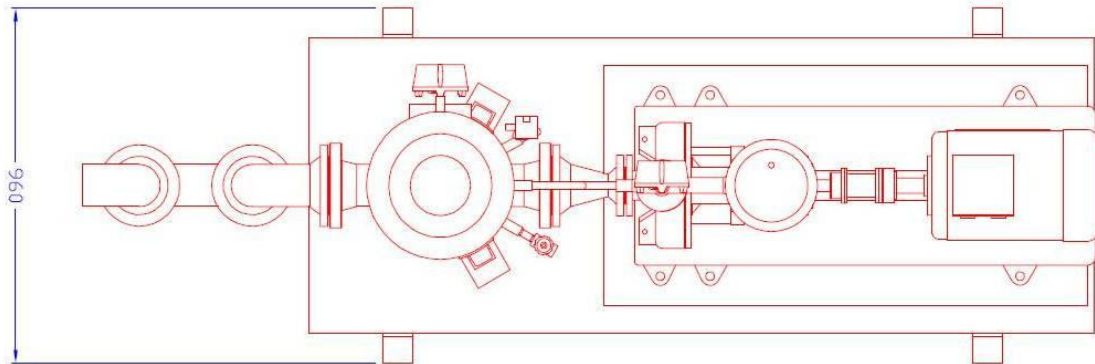
- Skid mounted condensate collection and pumping system returns steam condensate directly to the boiler without flash losses.
- Reduces energy consumption over 15% @10bar(g) operation pressure.
- Reduces water consumption of the steam system.
- Reduces chemical consumption.
- Improves heat transfer performance.
- Various capacities and pump head pressures available.
- Optional: stand alone panel equipped with PID control system.



**MAVITEC**

# PCRS

Pressurized Condensate Return System



Due to ongoing product improvements, data shown here is subject to change without notice.  
Contact Mavitec B.V. for latest specifications.

**MAVITEC**

Galileistraat 20, 1704 SE Heerhugowaard, The Netherlands  
Tel.: +31-72-574 59 88 - Fax: +31-72-574 55 48  
E-mail: [info@mavitec.com](mailto:info@mavitec.com) - [www.mavitecgreenenergy.com](http://www.mavitecgreenenergy.com)

**DUPPS**

Germantown, Ohio U.S.A.  
Tel: +1-937-855 6555 • Fax: +1-937-855 6554  
E-mail: [info@dupps.com](mailto:info@dupps.com) • [www.dupps.com](http://www.dupps.com)