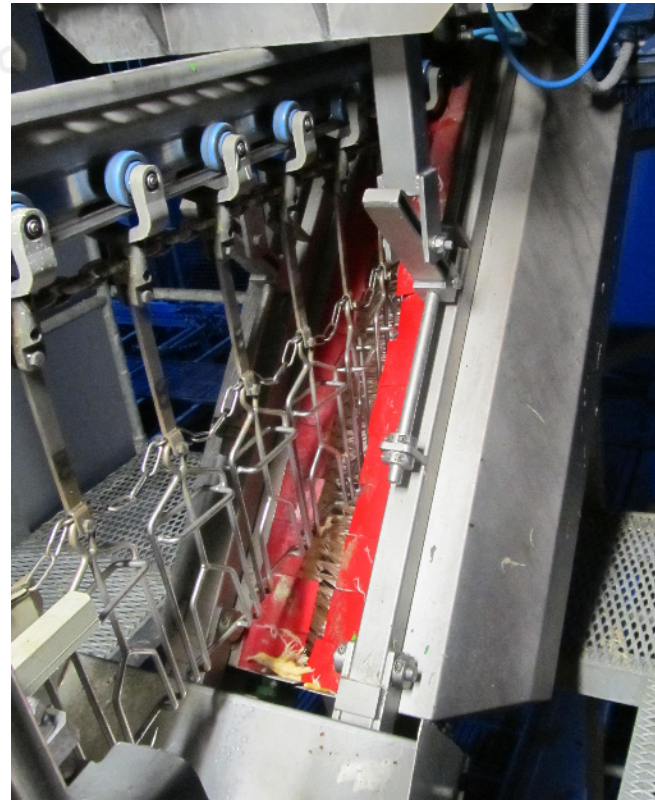
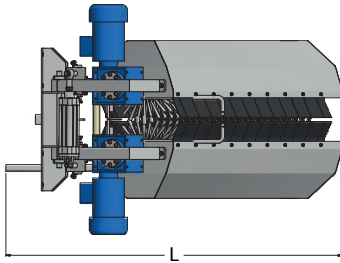
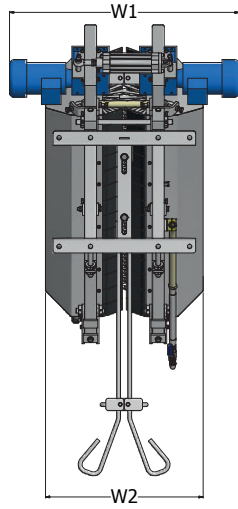
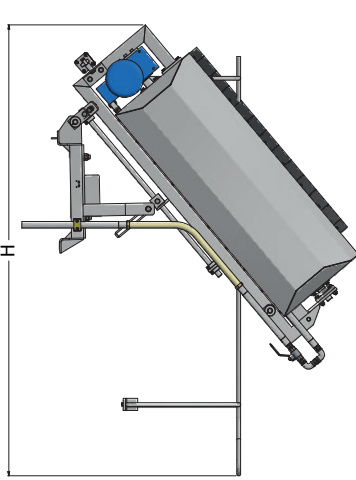


KILLING / EVISCERATION SHACKLE WASHER KD45 - EV45

Shackle washers are used to clean the overhead conveyor shackles at each cycle to prevent shackles from becoming unusable due to the accumulating dirt and viscera. The shackles are cleaned by using two brushes on each side that are driven independently by 2 motors.



| | | Killing department | Evisceration department |
|--------------------------|----|-----------------------|----------------------------|
| Length (L) | mm | 1,400 | 1,400 |
| Width (W) | mm | 950 | 950 |
| Height (H) | mm | 1,865 | 1,865 |
| Electric power installed | kW | 2 x 0.75 kW | 2 x 0.75 kW |