

HOCK CUTTER

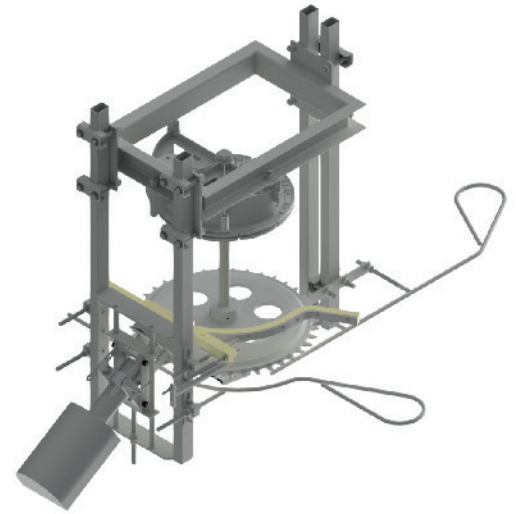
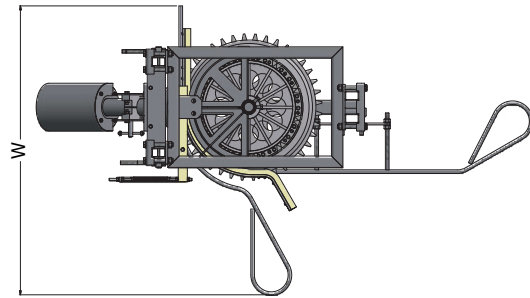
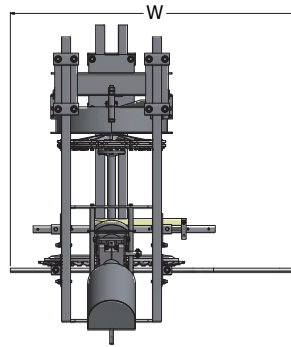
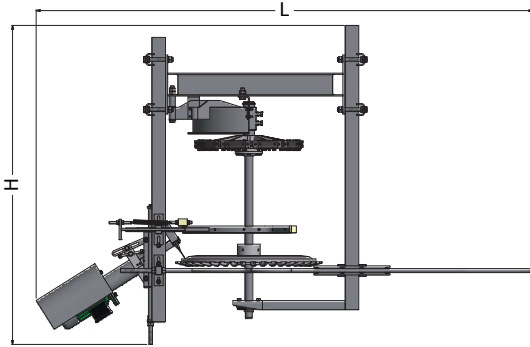
KD41

Kromeka

www.kromeka.com

The Hock cutter is installed in killing departments to perform an anatomical cut at the knee joint. It ensures the bird is dropped into a chute to be conveyed to the evisceration line. The hock stays in the shackle and proceeds to hock unloader or feet cutter.

If an anatomical cut is not enforced, the cutting point can also be adjusted to have more yield in the whole bird weight.



Features:

- Adjustable cutting point
- Suitable for all kinds of killing shackles
- Easy to clean

Up to 12,000 bph

Length (L)	mm	1,400
Width (W)	mm	1,275
Height (H)	mm	1,400
Electric power installed	kW	1 x 0.75 kW

