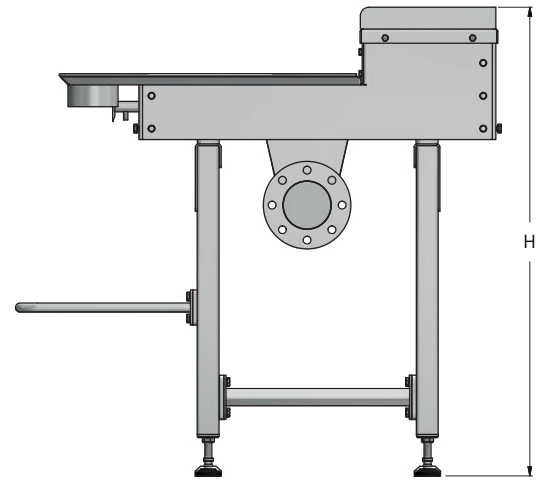
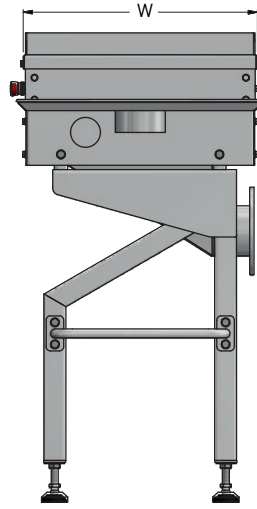


GIZZARD CONTROL TABLE EV26

Gizzard harvesting is an essential operation for the markets where gizzards are sold for human consumption. Since the features of the gizzard are highly dependent on bird type, feed composition, size of the bird etc. the quality control has to be done manually. The gizzard control table has the option of a single or double set of rollers, which allows easy and simple checking of the gizzards.



Features:

- Ergonomic design
- Easy to clean

Set of rollers	1 set	2 sets
(L) Length - mm	1,102	1,102
(W) Width - mm	535	1,070
(H) Height - mm	1,071	1,071
Electric power installed - kW	1 x 0.37	2 x 0.37

