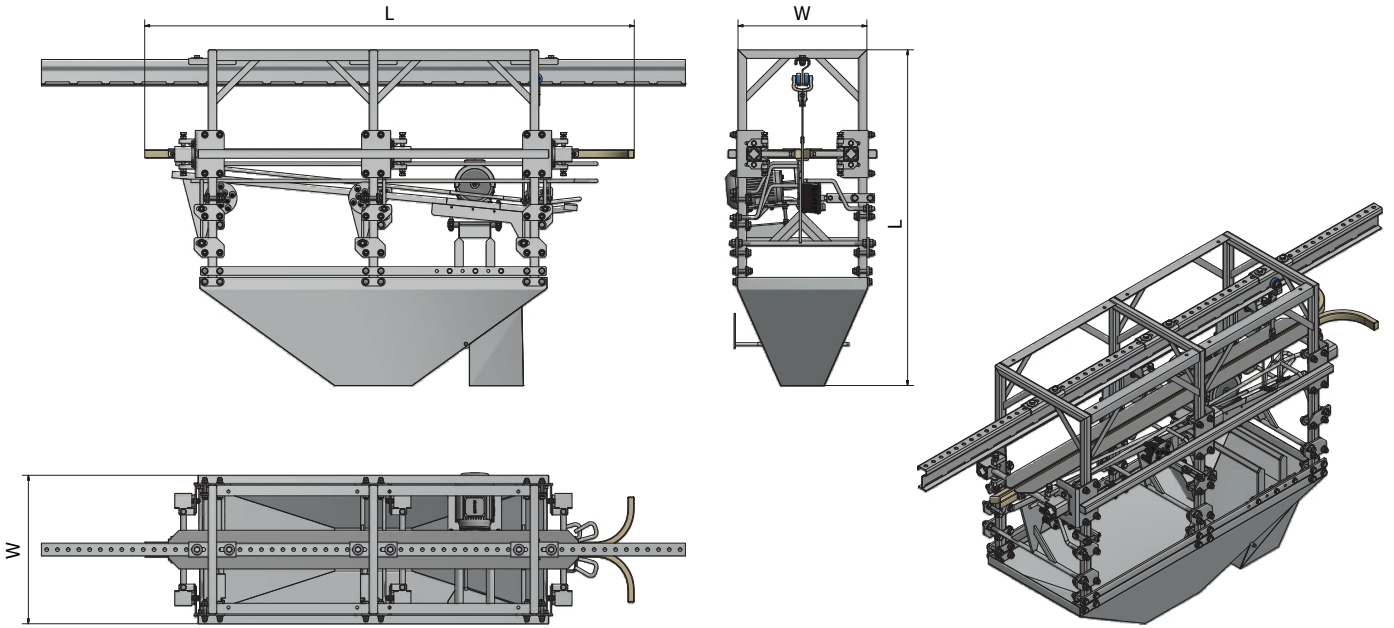


HOCK UNLOADER / FEET CUTTER KD 44

Hock unloader is used to remove hocks from killing shackles.
The linear design allows easy implementation into overhead conveyors.
Unloaded hocks are collected in an hopper.

An optional circular blade can be added onto the machine to separate hocks
into feet and shanks. These parts can be collected separately if desired.



Features:

- Complete AISI 304 execution
- Optional: Feet/shank cutter (Motor power: 0.75 - 1.1 kW)

	6,000 bph	12,000 bph
Length (L)	2,280	3,500
Width (W)	695	695
Height (H)	1,570	1,570

